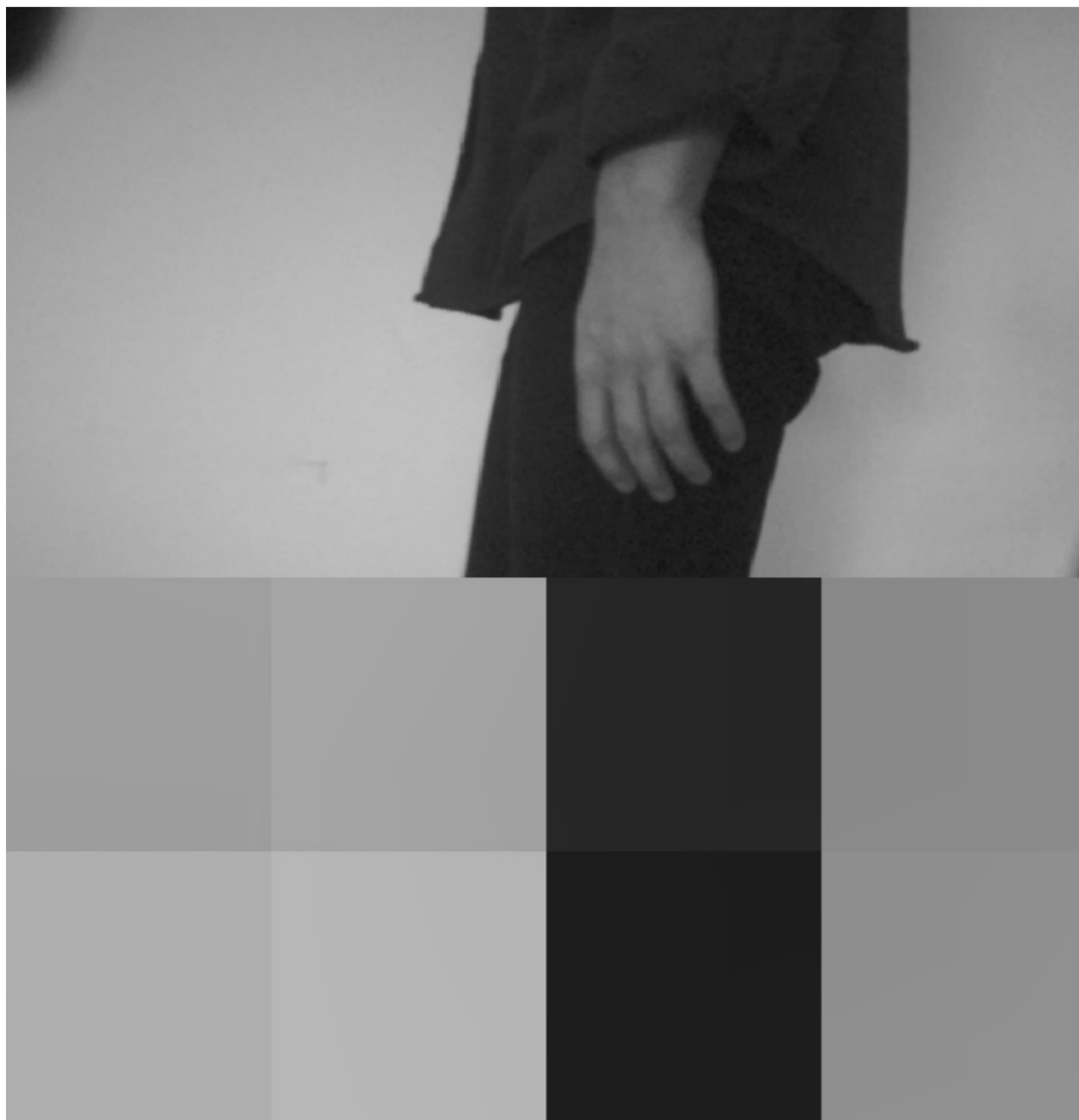
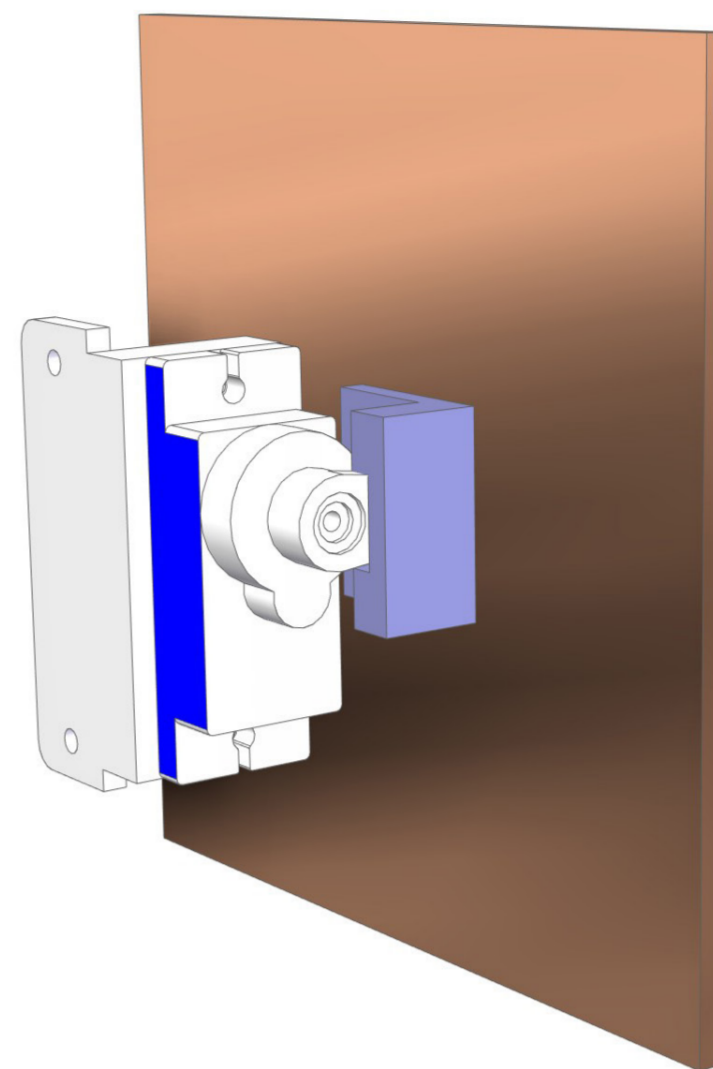


# Mechanical Mirror

## Mirroring an image with rotating pixels



An image captured by a camera is resized into 2x4 pixels.



The constructed pixels consists of metal plates, individually controlled by micro servos.



The final construction. The pixels rotate in order to reflect different amounts of light from the lamp, thus mirroring the captured image.

Sanna Dahlin  
Henrik Fagerlund



KTH Industriell teknik  
och management

MF133X VT21  
Supervisor: Nihad Subasic